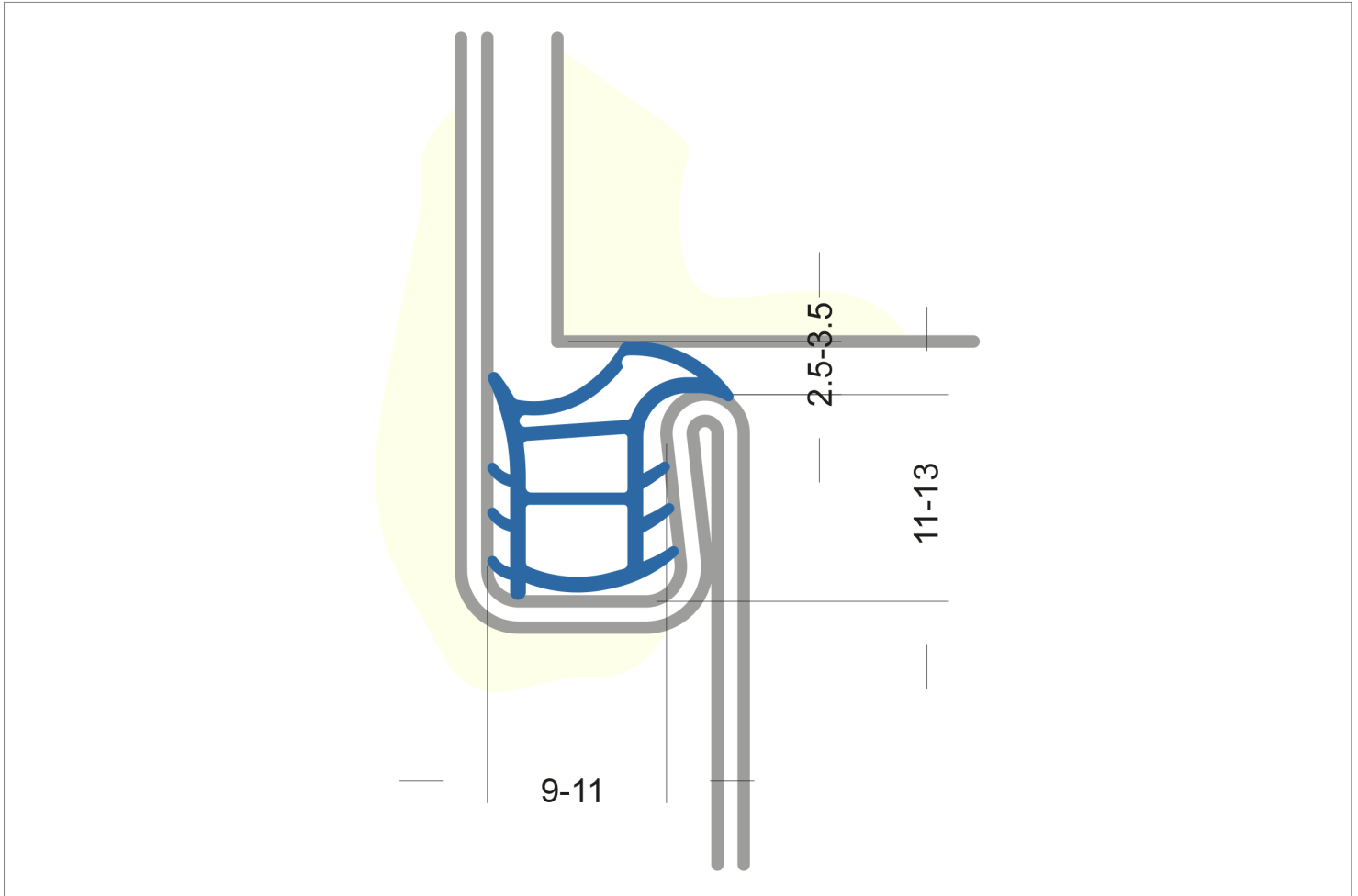


STEEL FRAME GASKET



PRODUCT ID AC-6017

General purpose steel frame gasket, replacement gasket for traditional frames such as AC 0500, but 2 mm lower. For rebate width 9-11mm, stop gap 2.5-3.5mm Material: TPE

SPECIFICATION

Material: PRIMO AC

Stop clearance: 2.5-3.5mm

Rabbit height:

Groove width: 9-11 mm

Groove depth: 11-13 mm

Class:

Packaging 1: 78 m per carton (15x5.2 m in poly bag)

Packaging 2: